

CLEANER XT™

Rotational Thrombectomy System

All directions should be read before use

pages

Directions For Use in Peripheral Vasculature 2-5

Directions For Use in Grafts and Fistulae..... 6-8

Caution: Federal (USA) law restricts this device to sale by, or on the order of, a physician.

DEVICE DESCRIPTION:

The CLEANER XT™ Rotational Thrombectomy System is a 6Fr percutaneous catheter based system (single piece construction). A disposable, hand-held battery operated rotator drive unit is attached to a sinuous wire which rotates at approximately 4000 RPM. The wire and atraumatic soft tip are radiopaque for fluoroscopic visualization.

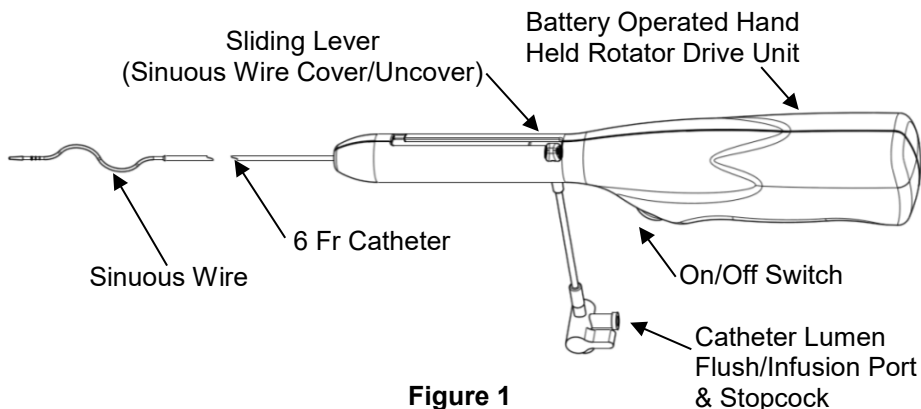


Figure 1

Peripheral Vasculature

INDICATIONS FOR USE:

The CLEANER XT™ Rotational Thrombectomy System is indicated for mechanical declotting and controlled and selective infusion of physician-specified fluids, including thrombolytics, in the peripheral vasculature.

CONTRAINDICATIONS:

The CLEANER XT™ Rotational Thrombectomy System is contraindicated in the following:

- This system is contraindicated when, in the medical judgment of the physician, such a procedure may compromise the patient's condition.
- Not designed for peripheral vasculature dilation purposes.
- This system is not intended for the infusion of blood or blood products.
- Refer to the product insert of the therapeutic solution of choice for indications, contraindications, side effects, and precautions.
- In patients without a vascular filter such as an inferior vena cava filter.

WARNINGS AND PRECAUTIONS:

- Prior to use, read all package insert warnings, precautions, and instructions. Failure to do so may result in severe patient injury and death.
- These procedures should only be performed by physicians and staff familiar with the equipment and techniques involved. The device has been sterilized by EtO and is sterile unless the package is opened or damaged. The package should be examined before use; if damaged, DO NOT USE. The device is intended for single patient use only; DO NOT REUSE OR RE-STERILIZE.
- Prior to use, carefully examine the CLEANER XT™ Rotational Thrombectomy System to verify that it has not been damaged during shipment. If the product components show any sign of damage, DO NOT USE.
- Due to the risk of exposure to HIV (Human Immunodeficiency Virus) or other blood borne pathogens, health care workers should routinely use universal blood and body fluid precautions in the care of all patients. Sterile technique must be strictly adhered to during any handling of the device.
- Do not advance if resistance is met without first determining the cause of resistance under fluoroscopy and taking any necessary remedial action. Excessive force against resistance may result in damage to the device or vasculature.
- Prior to introduction, and anytime the CLEANER XT™ is removed from the vascular system, the catheter should be flushed.
- If the catheter or guidewire becomes kinked or otherwise damaged during use, discontinue use and replace.
- Practitioners must be aware of potential complications associated with peripheral vasculature thrombolysis including:
 - Vessel perforation or rupture
 - Vessel spasm
 - Hematoma
 - Sepsis/Infection
 - Intimal disruption
 - Vascular thrombosis
 - Allergic reaction to contrast medium
 - Thromboembolic episodes
 - Distal embolization of blood clots
 - Hemorrhage
 - Pain and tenderness
 - Thrombophlebitis
 - Arterial dissection
 - Drug reactions
 - Arteriovenous fistula
 - Amputation

Peripheral Vasculature

- Potential fatigue failure of the CLEANER XT™ sinuous wire may occur with prolonged activation of the CLEANER XT™ device. A withdrawal rate of 1-2 cm/second is recommended when sharp radii are encountered (i.e. radius of a loop graft or fistula, radii < 3 cm).

A SUGGESTED PROCEDURE:

Use sterile technique.

Patient Preparation:

1. Premedicate with appropriate anxiolytic, analgesic and/or antibiotic per hospital protocol.

Device Performance Testing:

2. Remove the CLEANER XT™ Rotational Thrombectomy System from the package. Press the ON/OFF switch to ensure that the sinuous wire spins freely (refer to Figure 2). Release the switch to stop the rotator. **Precaution: Do not use the device if it does not activate immediately when the switch is pressed, and deactivate immediately when the switch is released.**

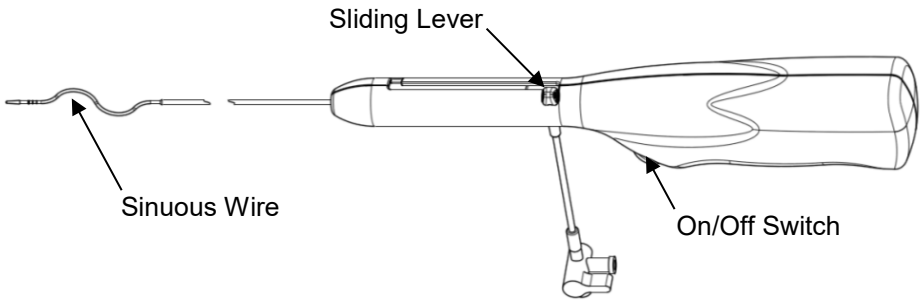


Figure 2

3. Attach a syringe of therapeutic agent or heparinized saline to the catheter flush port and flush the CLEANER XT™ catheter. Be sure that fluid exits from the most distal catheter hole which is located near the end of the catheter. Close the stopcock to “lock” the therapeutic agent or heparin in the catheter and remove the syringe.

Treatment:

The exact treatment procedure is to be determined by the physician. The following option describes how the procedure may be performed.

4. Complete the procedure under continuous fluoroscopy. Do not initiate sinuous wire rotation (device activation) unless proper device positioning is confirmed within the peripheral vasculature.
5. Prepare and drape the puncture site as required.
6. Administer local anesthetic at the puncture site for venous sheath insertion.

Peripheral Vasculature

7. Select an appropriately sized sheath to accommodate the CLEANER XT™ catheter and other devices/ catheters that may be used during the procedure. Maximum guidewire size will be dependent upon the introducer sheath/dilator assembly chosen. If crossing the iliac bifurcation, a long reinforced sheath should be used.
8. Prepare and place the venous introducer sheath per hospital protocol. The venous sheath should be placed in the venous limb of the peripheral vasculature, and directed toward the treatment site. The venous sheath placement can be optional depending on the clot burden in the vessel.
9. Place the device in the covered position by pushing the sliding lever to the distal position and rotating the sliding lever to lock in the covered position (refer to Figure 3). When in the covered position, only the flexible tip of the sinuous wire should extend from the catheter. **Warning: The device should not be activated in the covered position.**
10. Support the flexible tip between the thumb and index finger during insertion through the sheath valve. Insert the covered device through the venous sheath and into the venous limb of the peripheral vasculature.
11. Attach a 10cc syringe containing the therapeutic agent intended for infusion to the stopcock. Open the stopcock to enable flow. **Warning: Do not draw blood back into the catheter.**
Note: Follow the manufacturer's instructions regarding reconstitution and dilution of specified fluids.

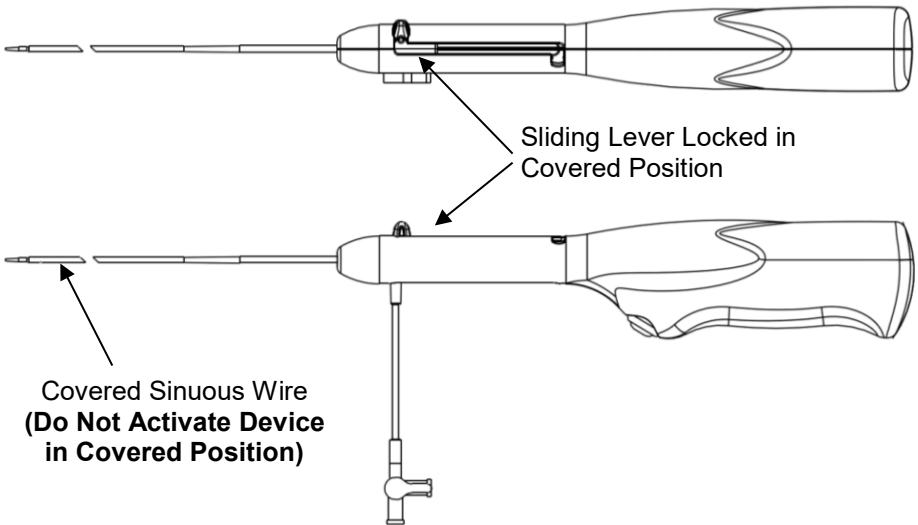


Figure 3

12. Advance the flexible tip up to the distal most extent of the clot. Uncover the sinuous wire by unlocking, fully retracting the sliding lever and rotating the sliding lever until an audible "click" is heard (refer to Figure 4). Confirm device positioning within the treatment site via fluoroscopy. Press the ON/OFF switch to activate rotation.

Peripheral Vasculature

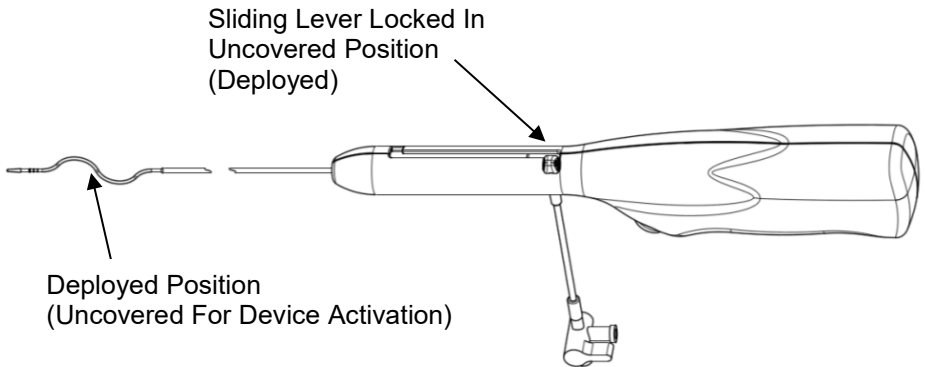


Figure 4

13. With the device activated, slowly withdraw the rotating sinuous wire along the treatment site while infusing therapeutic agent through the infusion port to break up the clot. **Warning: A withdrawal rate of 1-2 cm/second is recommended when sharp radii are encountered.** When the sinuous wire reaches the tip of the venous sheath, release the switch to turn off the rotating dispersion wire.
14. Cover the device and remove it from the peripheral vasculature. Flush the catheter lumen with heparinized saline and manually remove any accumulated fibrin from the sinuous wire.
15. Aspirate the macerated clot via the sheath and discard the aspirate. **Precaution: Continued unsuccessful aspiration may collapse the sheath and vessel.**
16. Inject a small amount of contrast via the venous sheath to assess the degree of thrombus removal accomplished. **Warning: Avoid over-injection of contrast to minimize the risk of embolization.** Treat the residual thrombus by repeating steps 11-15 until acceptable thrombus removal is achieved.
17. When the thrombus removal is complete, treat any underlying disease or stenosis per hospital protocol.
18. Perform the final angiogram.
19. Remove the sheaths from the peripheral vasculature.
20. Achieve hemostasis at the puncture site(s) per hospital protocol.

Grafts and Fistulae

INDICATIONS FOR USE:

The CLEANER XT™ Rotational Thrombectomy System is indicated for mechanical declotting of native vessel dialysis fistulae and synthetic dialysis access grafts.

CONTRAINDICATIONS:

- The CLEANER XT™ Rotational Thrombectomy System is contraindicated in the following:
- When in the medical judgment of the physician, such a procedure may compromise the patient's condition.
 - Existing hemodialysis access site infection.
 - Immature native vessel dialysis fistulae (fistulae that have not been used for at least one hemodialysis treatment).

WARNINGS AND PRECAUTIONS:

- Prior to use, read all package insert warnings, precautions, and instructions. Failure to do so may result in severe patient injury and death.
- These procedures should only be performed by physicians and staff familiar with the equipment and techniques involved. The device has been sterilized by EtO and is sterile unless the package is opened or damaged. The package should be examined before use; if damaged, DO NOT USE. The device is intended for single patient use only; DO NOT REUSE OR RE-STERILIZE.
- Prior to use, carefully examine the CLEANER XT™ Rotational Thrombectomy System to verify that it has not been damaged during shipment. If the product components show any sign of damage, DO NOT USE.
- Due to the risk of exposure to HIV (Human Immunodeficiency Virus) or other blood borne pathogens, health care workers should routinely use universal blood and body fluid precautions in the care of all patients. Sterile technique must be strictly adhered to during any handling of the device.
- Practitioners must be aware of potential complications associated with dialysis fistula and graft thrombolysis including:
 - Hemorrhage
 - Symptomatic pulmonary embolism
 - Arterial embolization
 - Allergic reaction to contrast media
 - Pseudoaneurysm
 - Pain and/or tenderness
 - Vessel tear or disruption
 - Infection
 - Perforation of the artery or vein
 - Hematoma
 - Death
- Caution should be used when dislodging the plug at the arterial anastomosis to minimize the risk of arterial embolization.
- Due to the lack of excretion associated with hemodialysis patients, use of contrast should be kept to a minimum throughout this procedure.
- Potential fatigue failure of the CLEANER XT™ sinuous wire may occur with prolonged activation of the CLEANER XT™ device. A withdrawal rate of 1-2 cm/second is recommended when sharp radii are encountered (i.e. radius of a loop graft or fistula, radii < 3 cm).

Grafts and Fistulae

A SUGGESTED PROCEDURE:

Use sterile technique.

Patient Preparation:

1. Premedicate with appropriate anxiolytic, analgesic and/or antibiotic per hospital protocol.

Device Performance Testing:

2. Remove the CLEANER XT™ Rotational Thrombectomy System from the package. Press the ON/OFF switch to ensure that the sinuous wire spins freely (refer to Figure 2). Release the switch to stop the rotator. **Precaution: Do not use the device if it does not activate immediately when the switch is pressed, and deactivate immediately when the switch is released.**
3. Flush the CLEANER XT™ catheter with heparinized saline through the catheter lumen flush port. Return the stopcock to the off position prior to operation.

Thrombolysis Procedure:

4. Complete the CLEANER XT™ thrombolysis procedure under continuous fluoroscopy. Do not initiate sinuous wire rotation (device activation) unless proper device positioning is confirmed within the fistula or graft.
5. Prepare and drape the puncture site as required.
6. Administer local anesthetic at the puncture site for venous sheath insertion.
7. Select an appropriately sized sheath to accommodate the CLEANER XT™ catheter and other devices/ catheters that may be used during the procedure. Maximum guidewire size will be dependent upon the introducer sheath/dilator assembly chosen.
8. Prepare and place the venous introducer sheath per hospital protocol. The venous sheath should be placed in the venous limb of the graft, and directed toward the venous anastomosis. In fistulae, the venous sheath placement can be optional depending on the clot burden in the vessel. If a venous sheath is used, it should be placed in the venous limb of the fistula and directed toward the central venous outflow. Note: If no venous sheath is used in the AV fistula, then go to step 16.
9. Place the device in the covered position by pushing the sliding lever to the distal position and rotating the sliding lever to lock in the covered position (refer to Figure 3). When in the covered position, only the flexible tip of the sinuous wire should extend from the catheter. The device should not be activated in the covered position.
10. Support the flexible tip between the thumb and index finger during insertion through the sheath valve. Insert the covered device through the venous sheath and into the venous limb of the fistula or graft.
11. In a graft, advance the flexible tip up to the venous anastomosis. **Warning: Do not advance it beyond the anastomosis.** In a fistula, advance the flexible tip up to the central most extent of the clot. Uncover the sinuous wire by unlocking, fully retracting the sliding lever and rotating the sliding lever until an audible “click” is heard (refer to Figure 4). Confirm device positioning within the fistula or graft via fluoroscopy. Press the ON/OFF switch to activate rotation. **Note: Caution should be taken while uncovering the wire to avoid advancing the wire into the clot and past the anastomosis.**
12. With the device activated, slowly withdraw the rotating sinuous wire along the graft or fistula to break up the clot. **Warning: A withdrawal rate of 1-2 cm/second is recommended when sharp radii are encountered.** When the sinuous wire reaches the tip of the venous sheath, release the switch to turn off the rotator.

Grafts and Fistulae

13. Cover the device and remove it from the graft or fistula. Flush the catheter lumen with heparinized saline and manually remove any accumulated fibrin from the sinuous wire.
14. Aspirate the macerated clot via the sheath and discard the aspirate. **Precaution: Continued unsuccessful aspiration may collapse the sheath and graft/fistula.**
15. Inject a small amount of contrast via the venous sheath to assess the degree of thrombus removal accomplished. **Warning: Avoid over-injection of contrast to minimize the risk of arterial embolization.** Treat the residual thrombus by repeating steps 11-14 until acceptable thrombus removal is achieved.
16. Administer local anesthetic at the puncture site for arterial sheath insertion. Prepare and place the arterial introducer sheath per hospital protocol. The arterial sheath should be directed toward the arterial anastomosis. **Precaution: The arterial and venous sheath tips must not overlap.**
17. Support the flexible tip between the thumb and index finger during insertion through the sheath valve. Insert the covered device through the arterial sheath into the arterial limb of the fistula or graft.
18. In a graft, advance the flexible tip up to the arterial anastomosis. **Warning: Do not advance it beyond the anastomosis.** In a fistula, advance the flexible tip up to the central most extent of the clot. Uncover the sinuous wire by unlocking, fully retracting the sliding lever and rotating the sliding lever until an audible "click" is heard. Confirm device positioning within the fistula or graft via fluoroscopy. Press the ON/OFF switch to activate rotation.
19. With the device activated, slowly withdraw the rotating sinuous wire, in the uncovered position, along the graft or fistula to break up the clot. **Warning: A withdraw rate of 1-2 cm/second is recommended when sharp radii are encountered.** When the sinuous wire reaches the tip of the arterial sheath, release the switch to turn off the rotator.
20. Cover the device and remove it from the graft or fistula. Flush the catheter lumen with heparinized saline and manually remove any accumulated fibrin from the sinuous wire.
21. Aspirate the macerated clot using either sheath and discard the aspirate. **Precaution: Continued unsuccessful aspiration may collapse the sheath and graft/fistula.**
22. Pass an appropriate catheter through the arterial sheath, and carefully feed it past the arterial anastomosis of the graft or fistula. Inflate the balloon, if it is a balloon catheter. Pull the arterial plug into the middle of the arterial limb. Deflate the balloon and remove the balloon catheter.
23. Reinsert the covered CLEANER XT™ device through the arterial sheath into the arterial limb of the graft or fistula.
24. Uncover the sinuous wire and activate the device to break up the arterial plug, using contrast to guide maceration.
25. Cover the device and remove it from the graft or fistula. Flush the catheter lumen with heparinized saline and manually remove any accumulated fibrin from the sinuous wire.
26. Aspirate the macerated clot via the sheath and discard the aspirate.
27. Inject contrast to assess the degree of thrombus removal. Treat any residual thrombus using the CLEANER XT™ via either sheath, as needed.
28. When the thrombus removal is complete, treat any underlying disease or stenosis per hospital protocol.
29. Perform the final fistulogram.
30. Remove the sheaths from the fistula or graft.
31. Achieve hemostasis at the puncture site(s) per hospital protocol.

WARNING:

For single use only. Do not reuse, reprocess or re-sterilize. Reuse, reprocessing or re-sterilization may compromise the structural integrity of the device and/or lead to device failure which in turn may result in patient injury, illness or death. Reuse, reprocessing or re-sterilization may also create a risk of contamination of the device and/or cause patient infection or cross-infection, including, but not limited to, the transmission of infectious disease(s) from one patient to another. Contamination of the device may lead to injury, illness or death of the patient.

STORAGE:

Store at controlled room temperature. Do not expose to organic solvents, ionizing radiation or ultraviolet light.

DISPOSAL:

Dispose of the catheter system in accordance with the Waste Electrical and Electronic Equipment Directive 2002/96/EC (WEEE) and according to the standard institutional procedures for medical waste including single-use, blood contacting devices.

DISCLAIMER OF WARRANTY AND LIMITATION OF REMEDY:

There is no express or implied warranty, including without limitation and implied warranty of merchantability or fitness for a particular purpose, on the Argon Medical product(s) described in this publication. Under no circumstances shall Argon Medical be liable for any direct, incidental or consequential damages other than as expressly provided by specific law. No person has the authority to bind Argon Medical to any representation or warranty except as specifically set forth herein.


Descriptions or specifications in Argon Medical printed matter, including this publication, are meant solely to generally describe the product at the time of manufacture and do not constitute any express warranties.

Argon Medical will not be responsible for any direct, incidental or consequential damages from reuse of the product.



MEDICAL — GENERAL MEDICAL EQUIPMENT
AS TO ELECTRICAL SHOCK, FIRE AND MECHANICAL HAZARDS ONLY
IN ACCORDANCE WITH IEC60601-1 3rd Ed. & CAN/CSA-C22.2
NO. 60601.1 (2008), AAMI ES 60601-1:2008
4CR3



 The symbols glossary is located electronically at www.argonmedical.com/symbols



EMERGO EUROPE
Prinsessegracht 20
2514 AP The Hague
The Netherlands
+31 70 345 8570



ARGON MEDICAL DEVICES, INC.
1445 Flat Creek Road
Athens, Texas 75751 USA
Tel: +1 (903) 675 9321
Tel: +1 (800) 927 4669
www.argonmedical.com

P/N: P-1009-0213-00 Rev 0519C